

AW-D106 is an intelligent horn strobe, which can be configured with Asenware Addressable Fire Alarm Control Panel.

Each point (device) can be given specific ID, when the panel enters fire alarm condition, which allows the panel to give a audible and visual signal to the specific location .

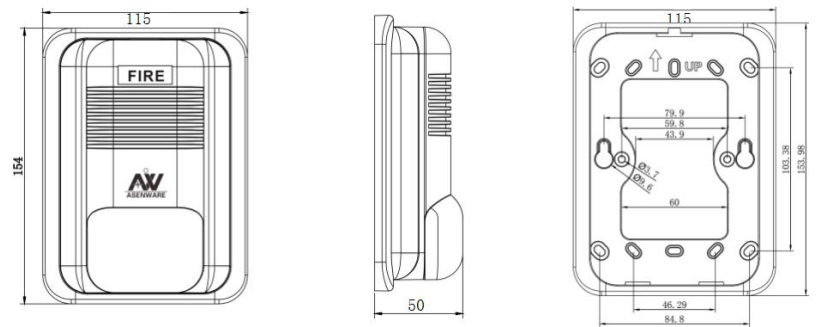
AW-D106 horn strobe are low-current, high-decibel notification appliances for use in fire signaling applications.



Features

- ✓ Low Standby current
- ✓ High decibel rating
- ✓ Flash period of 1 sec
- ✓ Reliable communication protocol

Installation



Technical Specification

| | |
|--------------------------------|---|
| Model | AW-D106 |
| Operating voltage | 18~28VDC @Loop |
| Operating current(@Loop 24VDC) | Standby status≤3mA, Alarm status≤60mA |
| Wiring | The promise of two bus system(Loop in, Loop out) |
| Alarm SPL | ≥100 dB @1m |
| Flash period | 1.0 sec |
| Environmental | Temperature range: -10~50°C (14~122°F) Humidity: 5 to 95% RH, non-condensing |
| Materials and colors | ABS, Red |
| Mating host | AW-FP100&AW-FP200 series fire alarm control panel |
| Size(L*W*H) | 154mm* 115mm* 50mm |
| Weight | About 195g |